

Aqua Lung America

TECHNICAL BULLETIN

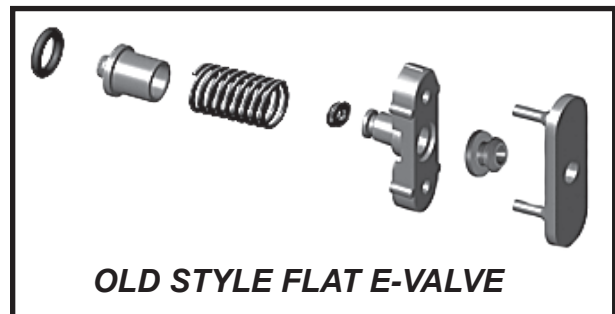
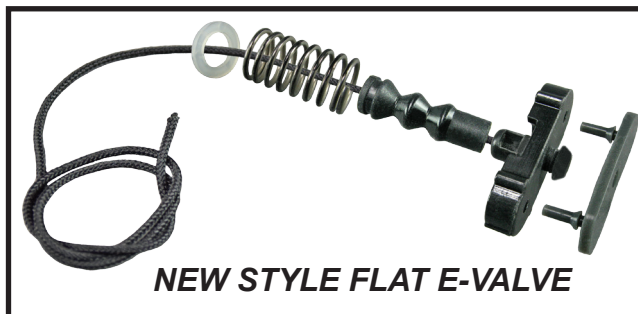
August 15, 2015
No. 44

SUBJECT: Change to i3 Flat E-Valves

PRODUCTS AFFECTED: All Buoyancy Compensators using the i3 Inflation system

Beginning in March of 2015, all **BC's using the i3 inflation system** underwent a design change to the Flat E-valves. This design change improves the overall function and eases the serviceability of the Flat E-valves.

The service parts for the older design Flat E-valves are no longer available. For all older model i3 BC's, we are recommending a change over to the new valve design during annual service.



To assist with this change Aqua Lung has created a **retrofit kit (p/n 42647)** that will update the two-valves on an older model BC to the new style valve. This kit along with installation instructions are being provided to our Dealers at no charge.

In addition, the i3 Service Kit (p/n 900020 rev 01/15) now includes the service parts needed for the **“NEW”** style Flat E-valves found on the BC, so you will not need to order the parts separately for annual service.

Should you have any questions regarding this issue,
please contact our customer service department at:
(877) 253-DIVE