



**Regulator
Owner's Manual**

Copyright Notice

This owner's manual is copyrighted, all rights reserved. It may not, in whole or in part, be copied, photocopied, reproduced, translated, or reduced to any electronic medium or machine readable form without prior consent in writing from Aqua Lung America, Inc.

©1998 Aqua Lung America, Inc.
Regulator Owner's Manual, P/N 1019-99 — Rev. 4/98

Trademark Notice

Aqua Lung, Conshelf, Titan, Micra, AirMic, Impulse, Calypso, SEA, and Arctic are registered trademarks of Aqua Lung America, Inc.

Warnings, Cautions and Notes

Pay special attention to information provided in warnings, cautions, and notes, that is accompanied by these symbols:



A **WARNING** indicates a procedure or situation that, if not avoided, could result in serious injury or death to the user.



A **CAUTION** indicates any situation or technique that could cause damage to the product, and could subsequently result in injury to the user.



A **NOTE** is used to emphasize important points, tips, and reminders.

Contents

General Precautions & Warnings	4	After the Dive	22
Introduction	6	Removal of the Regulator from the Cylinder Valve (Yoke Connector)	22
Regulator Features	7	Removal of the Regulator from the Cylinder Valve (DIN Connector)	23
External Second Stage Adjustments	7	User Care & Maintenance	24
First Stage Environmental Protection	9	Dealer Inspection & Service	28
Preparation and Setup	10	Warranty Information	29
First Stage Mounting	11	The Aqua Lung Satisfaction Guarantee™	29
Yoke Connector	11	The Aqua Lung Two-Year Limited Warranty™	29
DIN Connector	12	Restrictions	31
Pre-Dive Checkout	14	Returning Your Regulator For Service	32
Inspection Checklist	14	Contacting Aqua Lung via Electronic Mail ...	32
Diving With an Adjustable Second Stage	18	Annual Inspection & Service Record	34
Cold Water Diving	20		



General Precautions & Warnings

- Before using this regulator, you must have successfully received training and certification in the technique of SCUBA diving from a recognized certification agency (or any U.S. Military or government operated diving school). Use of this equipment by a person who is not certified by a recognized agency shall render all warranties, express or implied, null and void. **Use of SCUBA equipment by uncertified, or untrained persons, is dangerous and can result in serious injury, or death.**
- This regulator is not configured for commercial use with surface supplied air.
- Always pressurize the regulator gradually by opening the cylinder valve SLOWLY.
- NEVER lubricate any part of the regulator or cylinder valve with any lubricant. Lubrication must only be performed by Aqua Lung trained technician.
- DO NOT apply any type of aerosol spray on the regulator. Doing so may cause permanent damage to certain plastic components, including the second stage housing.
- Factory prescribed service for this regulator must be performed at least once annually by a factory trained Aqua Lung Service Technician who is employed by an Authorized Aqua Lung Dealer. Repair, service, disassembly, or first stage

adjustment must not be attempted by persons who are not factory trained and authorized by Aqua Lung America, Inc.

- DO NOT leave a cylinder standing unsecured with the regulator attached to the valve. Doing so may cause permanent damage to the regulator and cylinder valve if the cylinder falls over against the first stage.
- DO NOT use the regulator first stage as a carrying handle when lifting or transporting the cylinder. Always lift the cylinder by the cylinder valve handle.
- When diving in cold water (below 45°F, or 7°C), you must have received training and certification in the techniques of cold water diving from a recognized training agency.
- This regulator is designed and intended for use only with clean, compressed atmospheric air (21% oxygen and 79% nitrogen by volume). DO NOT use this equipment with any other gas or enriched oxygen mixture above 23% oxygen. Failure to observe this warning may result in serious injury or death due to fire or explosion.



NOTE: Aqua Lung/ U.S. Divers offers a separate line of regulators which are designed and manufactured specifically for dedicated use with enriched air. For information about these models, consult your Authorized Aqua Lung Dealer.



Introduction

Congratulations—and *thank you*—for choosing Aqua Lung. Your new regulator has been designed and manufactured with pride, according to the most exacting standards for quality and performance.

Provided that it has been purchased new from an Authorized Aqua Lung Dealer, your regulator is covered by Aqua Lung's exclusive 30-Day Satisfaction Guarantee™ and the Aqua Lung Two-Year Limited Warranty™. Be sure to read the warranty section of this manual completely and remember to save your sales receipts. Copies of these receipts must be presented whenever obtaining warranty service.

Perhaps more than any other piece of diving equipment you will own, your regulator's function and performance relies greatly on the care and maintenance it will receive, in addition to regularly scheduled dealer service. Before you dive with your new Aqua Lung regulator, it is therefore important to read this manual in its entirety; to become familiar with its features, as well as the correct procedures for setup, pre-dive inspection, and post-dive maintenance.

Please read on to learn how you can obtain the maximum enjoyment from your regulator, and maintain its like-new performance for many years to come.

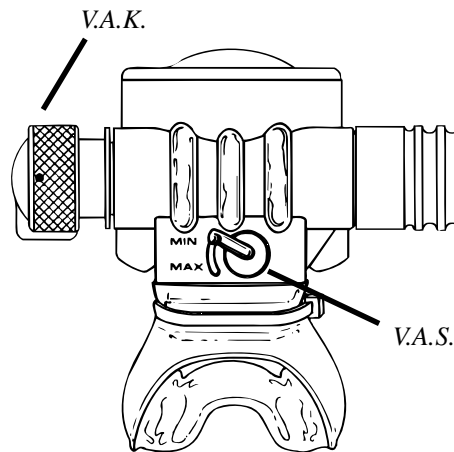
Regulator Features

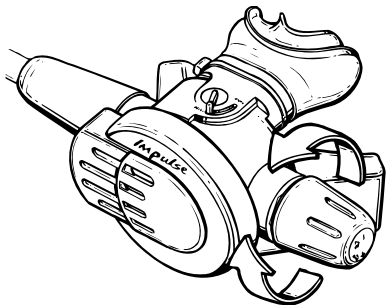
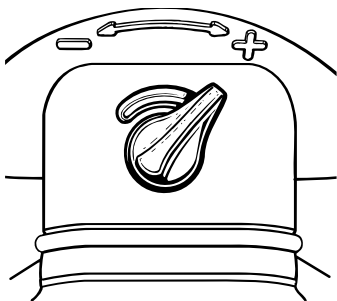
The Aqua Lung family of regulators consists of many different models to satisfy a wide range of diving interests; from entry level sport diving, to advanced diving in more demanding and extreme conditions. By now, your Authorized Aqua Lung Dealer has already explained to you the specific features that your particular model offers, and you have made your purchase after comparing the benefits of these features to your individual diving needs and interests. Be sure to review this section to learn more about your model's features, and how to obtain the maximum benefit from using them.

External Second Stage Adjustments

External adjustment features offer you the additional advantage of adjusting your second stage regulator's sensitivity to suit your individual preference as your diving conditions change.

Vane Adjustment Switch (VAS) — The VAS is located on the top of certain model second stages, in front of the mouthpiece, and helps to maintain a high flow of air once you have started to take a breath.





When the VAS is set to the “MAX” (or “+”) position, the regulator will provide maximum venturi assistance. This makes it easier to breathe at deeper depths and increased work loads.

For normal sport diving conditions, the regulator will perform suitably if it is left set to the “MIN” (or “-”) position. This setting will also help to prevent the second stage from freeflowing during entry or while swimming on the surface.

Valve Adjustment Knob (VAK) — The VAK, located opposite of the hose connection on certain model second stages, adjusts the effort required to start the air flow at the beginning of the inhalation cycle. As it is turned “in” (clockwise), the opening effort will increase. This will make the second stage less sensitive to sudden changes in ambient pressure. Turning the knob “out” (counter-clockwise) will decrease the opening effort to make breathing easier.

This adjustment is particularly useful at deeper depths, or in variable conditions that affect the opening effort of the second stage, such as strong currents or while using a diver propulsion vehicle (DPV). You can use the VAK to tune your regulator to maintain its peak performance throughout the course of your dive, or you can leave it set in its mid-range position and dive with as you would any non-adjustable second stage.

Supreme™ and Dry™ First Stage Environmental Protection

For diving in cold water conditions, or commercial diving in contaminated water, Aqua Lung offers two different types of environmental first stage protection kits which seal the ambient chamber from the environment. This helps to prevent ice from forming inside the first stage ambient chamber, and effectively extends the life of the first stage diaphragm for regulators used in extremely polluted or contaminated water.

The Supreme™ environmental protection kit contains silicone fluid, which fills the ambient chamber and acts as a transfer medium between the diaphragm and the surrounding water.

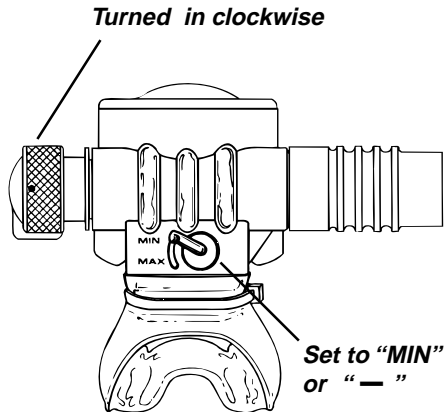
The Dry™ kit also seals off the ambient chamber, but incorporates a specially designed piston to transfer the surrounding water pressure to the diaphragm, instead of silicone fluid.

This environmental protection comes with those regulators which are sold specifically for cold water use, or it can be installed as an add-on option by your Authorized Aqua Lung Dealer, provided that your regulator has a balanced diaphragm design first stage.

For more information on diving in cold water, read the section titled Cold Water Diving, on page 20.

Preparation and Setup

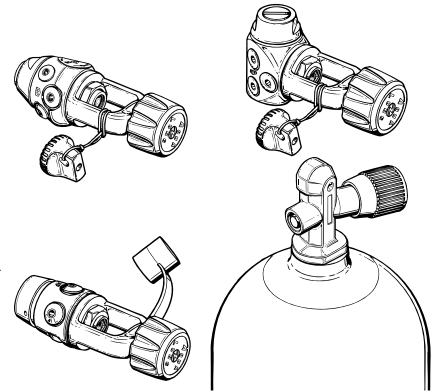
Aqua Lung America, Inc. recommends that you bring your regulator to your Authorized Aqua Lung Dealer for the installation of any accessory items, including instrumentation, LP quick disconnect hoses, and alternate air sources. Your dealer can also answer any questions you may have pertaining to the information in this manual.



1. If present, check the vane adjustment switch on the top of the second stage to ensure that it is set on "MIN" (or"—") prior to connecting your regulator to the tank.
2. (Adjustable models only) If the adjustment knob has been turned "out" (counter-clockwise), gently turn it "in" (clockwise), only until it stops. Do not apply excessive pressure.
3. If you are using a standard cylinder with a yoke connector valve, inspect the cylinder valve O-ring for any wear or damage. If you are using a high pressure cylinder with a DIN valve, remove the protector cap from the first stage to inspect the sealing O-ring of the DIN connector. If the sealing O-ring is damaged or worn, replace it before mounting the regulator on the cylinder valve.

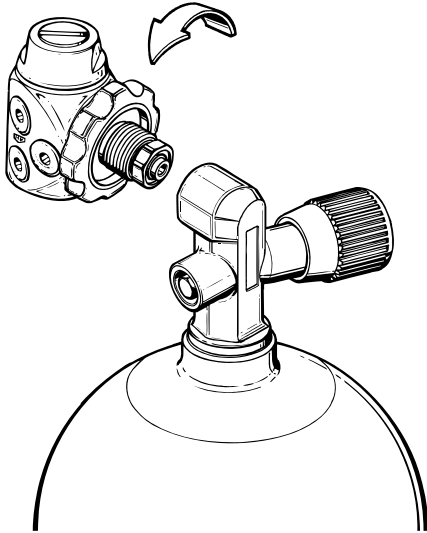
Mounting the First Stage Onto the Cylinder Valve (Yoke Connector)

1. Partially unscrew the yoke screw of the first stage regulator so that the dust cap can be removed from the filter and air inlet.
2. With the cylinder valve facing away from you, release a small amount of air from the cylinder by turning the handwheel counter-clockwise to open the valve only slightly. When air is heard exiting, immediately close the valve. This will clear any moisture or debris that may be inside the cylinder valve outlet opening.
3. Place the first stage regulator over the cylinder valve so that the inlet fitting aligns with the O-ring of the cylinder valve, and the LP hose of the primary second-stage will be routed over the right shoulder. While holding the first stage in place, turn the yoke screw clockwise. Ensure that the yoke screw mates into the small dimple on the backside of the cylinder valve, and tighten finger-tight only.
4. If a submersible pressure gauge is attached to the first stage, ensure that the gauge is facing away from you. Pressurize the regulator by slowly turning the cylinder valve handwheel counter-clockwise. Continue to turn the valve handwheel



counter-clockwise until it is fully open, and then turn it back clockwise $\frac{1}{4}$ - $\frac{1}{2}$ turn.

5. Listen near the first stage to check for any leakage. If leakage is detected, immerse the first stage and cylinder valve while pressurized to determine the source.
6. If leakage has been detected, follow the procedure for removing the regulator from the cylinder valve on pages 22-23. If air was leaking between the first stage and cylinder valve, replace or reseat the cylinder valve O-ring as needed and repeat the above procedure. If leakage persists, return the cylinder and regulator to an Authorized Aqua Lung Dealer.

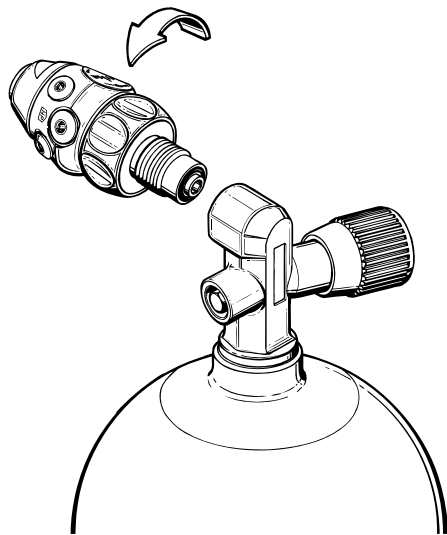


Mounting the First Stage Onto the Cylinder Valve (DIN Connector)

1. Remove the protector cap from the cylinder valve. With the cylinder valve facing away from you, release a small amount of air from the cylinder by turning the handwheel counter-clockwise to open the valve slightly. When air is heard exiting, immediately close the valve. This will clear any moisture or debris that may be inside the threaded cylinder valve opening.
2. Position the first stage near the cylinder valve so that the LP hose of the primary second-stage will be routed over the right

shoulder. Thread the first stage DIN connector into the cylinder valve and turn the handwheel clockwise by hand until it is lightly snug. **DO NOT** use tools to tighten.

3. If a submersible pressure gauge is attached to the first stage, ensure that the gauge is facing away from you. Pressurize the regulator by slowly turning the cylinder valve handwheel counter-clockwise. Continue to turn the cylinder valve handwheel counter-clockwise until fully open, and then back clockwise $\frac{1}{4}$ - $\frac{1}{2}$ turn.
4. Listen near the first stage to check for any leakage. If leakage is detected, immerse the first stage while pressurized to determine the source.
5. If leakage has been detected, follow the procedure for removing the regulator from the cylinder valve on pages 22-23. If air was leaking between the first stage and cylinder valve, replace or re-seat the cylinder valve O-ring as needed and repeat the above procedure. If leakage persists, return the cylinder and regulator to an Authorized Aqua Lung Dealer.



Pre-Dive Checkout

Before each use, the regulator must be given a thorough visual inspection and functional test. NEVER dive with a regulator that shows signs of damage, or provides substandard performance until it has received complete inspection and service from an Authorized Aqua Lung Dealer.

Inspection Checklist:

1. Carefully inspect all hoses at their fittings to ensure they are securely connected into their respective ports on the first stage. Inspect the length of each hose to ensure that the hoses are not blistered, cut, or otherwise damaged. If hose protectors are present, slide the protectors back to expose the hose fittings, and inspect the hoses as described above.
2. Visually inspect both the first and second stage regulators for any signs of external damage.
3. Remove the dust cap and closely inspect the condition of the first stage filter. It should appear clean and free of any corrosion or discoloration. If a green residue is visible on the surface of the filter, moisture has entered the first stage and may have caused corrosion to begin forming inside which can seriously impair the regulator's performance. Other colored residue may indicate that the regulator has been used with an

internally corroded aluminum (white/ gray powder) or steel (rust) cylinder. In this event, the cylinder in question should be returned to the dive store for internal visual inspection.

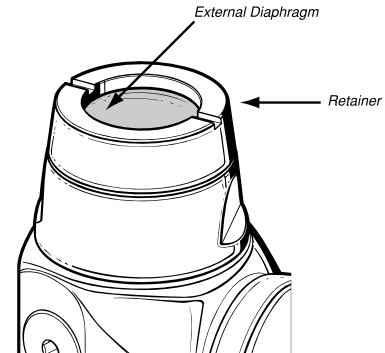


CAUTION: If discoloration or contaminant residue is found to be present on the surface of the filter, it is strongly recommended that you DO NOT attempt to dive with the regulator until it has received factory prescribed service from an Authorized Aqua Lung Dealer.

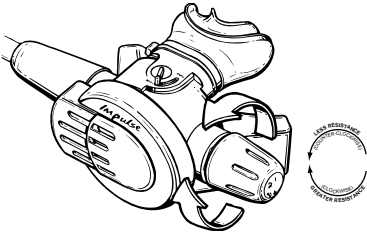
4. (Environmentally sealed first stage only) Closely inspect the external sealing diaphragm for any signs of damage or deterioration that may cause leakage. The retainer that holds the diaphragm in place must be tightly secured.



WARNING: If leakage of silicone fluid from a Conshelf Supreme™ model first stage is visible, DO NOT attempt to dive with the regulator until it has received factory prescribed service from an Authorized Aqua Lung Dealer. Under this condition, the regulator may seem to function normally at the surface, but may not provide adequate airflow at depth. The environmental protection may also be compromised, and could result in first stage freeze-up.



5. Connect the first stage regulator to a fully charged SCUBA cylinder. For mounting instructions, read the Preparation and Setup section of this manual on page 10.
6. SLOWLY open the cylinder valve to pressurize the regulator. Depress the purge button momentarily to ensure that sufficient airflow is provided to blow out any dust or debris which may have entered the second-stage.
7. Release the purge button and listen to ensure that the second-stage does not continue to flow any air after the purge button is released.
8. (Adjustable models only) Turn the regulator adjustment knob on the left side of the second stage completely “out” (counter-clockwise), or until the regulator provides the maximum ease of breathing. Do not apply excessive pressure after the knob stops turning, as this may damage the regulator.



△ NOTE: When the knob is turned all the way “out” (counter-clockwise), the regulator may provide a slight but continuous flow of air, whether you inhale or not. This is normal, and allows you to adjust the regulator to a setting that provides the least possible breathing resistance.

9. Inhale slowly and deeply from the regulator several times. The regulator must deliver enough air for you to breathe easily without noticeable resistance.
10. Check to ensure that the submersible pressure gauge is displaying an accurate measurement of the air pressure inside the cylinder.
11. Close the cylinder valve and bleed the air from the regulator by pressing the purge button. Look at the submersible pressure gauge, or your dive computer if it is air integrated. The air pressure reading must fall to zero. If you are not certain the gauge or computer is reading correctly, do not dive with the system until it has received service from an Authorized Aqua Lung Dealer.
12. (Adjustable models only) Check to ensure that the vane adjustment switch on the top of the second stage is set to “MIN” (or “—”) and gently turn the regulator adjustment knob back “in” (clockwise), only until it stops. Do not apply excessive pressure. These settings will help to minimize any loss of your air supply during entry or while making a long surface swim.
13. Before entering the water, turn the cylinder valve completely open to ensure that the regulator is pressurized.

Diving with an adjustable second stage

When you are ready to submerge, turn the regulator adjustment knob on the left side of the regulator all the way “out” (counter-clockwise). Then, turn the knob back “in” (clockwise) until the regulator breathes comfortably for you, without being undesirably sensitive.



CAUTION: For adjustable second stages sold in the United States, it is normal for the regulator to continuously leak air when the adjustment knob is turned all the way “out” (counter-clockwise). If the adjustment knob is left in this position while the cylinder valve is open, however, the air supply will be rapidly depleted.

As you descend, you may want to turn the regulator knob out further to make breathing easier. This will be particularly true on deep dives where you are working hard. Remember, however, that the regulator may continuously leak air if the adjustment knob is turned all the way “out” (counter-clockwise). This will cause the air supply to be depleted more rapidly.



WARNING: Adjusting the regulator to increase breathing resistance will not conserve air. Instead, excessive breathing resistance will actually increase your air consumption, and may elevate the CO₂ in your bloodstream to a dangerous level.

If you work underwater in an upside down or sideways position, or facing a strong current, you will probably find that you want to turn the adjustment knob back “in” (clockwise), to desensitize the opening effort as needed. You will also want to turn the adjustment back “in” when you ascend towards the surface.

If you turned the VAS to the “MAX” (or “+”) position at any time during your dive, be sure to return it to the “MIN” (or “-”) position when you ascend to the surface. If you will be surface swimming using your snorkel, check to be sure that the regulator adjustment knob is also turned “in.”



WARNING: Deep diving requires special training and equipment, and greatly increases your risk of decompression sickness and other diving injuries. Aqua Lung does not advocate diving to depths deeper than 130 feet, or for any duration which exceeds no-decompression limits.

Cold Water Diving



WARNING: SCUBA regulators and other equipment have operational limits when used in water colder than 45°F (7°C). If you attempt to dive in cold water without first obtaining the necessary training and preparation of your equipment, you risk serious personal injury or death.

Before attempting an unsupervised dive in cold water conditions, it is important to obtain certified training in cold water diving techniques, and to ensure that your breathing system is properly equipped for this diving specialty. If these precautions are not taken, freeze-up can occur unexpectedly, especially in fresh water lakes where severe thermoclines may be encountered.

After receiving training, you should bring your regulator to an Authorized Aqua Lung Dealer for inspection and any service that may be needed. Your regulator may need the installation of additional parts that will render it more suitable for cold water use, or you may consider purchasing a current model that is specially designed for this purpose. It is important to consider that an environmentally sealed first stage regulator will prevent ice from forming in the first stage ambient chamber, but will not prevent the second stage from icing or freezing.

It is possible for icing or freeze-up to occur, even with a regulator that has been specially designed and/or prepared for cold water use. For this reason, it is imperative that you must practice the correct cold water diving procedures, and take special precautions to prevent second-stage icing. This training must include procedures for dealing with regulator freeze-up, unexpected freeflow, and emergency out-of-air situations. These procedures are taught in most recognized certification agencies' cold water training programs.

Whenever your air cylinder is filled, request verification that the water vapor content of the supplied air is less than -65°F dewpoint. (Most dive stores and air stations obtain regular testing and certification to provide evidence of compliance with pure air standards.) Excess water vapor in the air can cause moving parts inside your regulator to ice-up and freeze.

After the Dive



NOTE: If fresh water is available, rinse your regulator completely before depressurizing it. This will help to prevent any contaminants from entering sealing surfaces inside the regulator.

Removal of the Regulator from the Cylinder Valve (Yoke Connector)

1. Shut off the cylinder air supply by turning the cylinder valve handwheel clockwise until it stops.
2. While observing the submersible pressure gauge, depress the purge button of the second-stage. When the gauge reads zero and airflow can no longer be heard from the second stage, release the purge button.
3. Turn the yoke screw counter-clockwise to loosen and remove the first stage from the cylinder valve.
4. Dry the dust cap with a towel or other lint-free cloth. While you may use air from your tank valve to blow the water off the dust cap, you run the risk of blowing out the dust cap O-ring and losing it.
5. Place the dust cap over the first stage inlet fitting and seal it securely in place by tightening down the yoke screw.

Removal of the Regulator from the Cylinder Valve (DIN Connector)

1. Turn off the cylinder air supply by turning the cylinder valve handwheel clockwise until it stops.
2. While observing the submersible pressure gauge, depress the purge button of the second-stage. When the gauge reads zero and airflow can no longer be heard from the second stage, release the purge button.
3. Turn the first stage handwheel counter-clockwise to loosen and remove the first stage from the cylinder valve.
4. Blow out any water inside the protector cap or wipe it out with a clean towel, and wipe the threads of the first stage connector clean and dry. Install the cap over the threads of the first stage connector.



NOTE: It is very important to use care when removing the first stage from the cylinder valve to ensure that moisture does not enter either the inlet opening of the first stage or the opening of the DIN valve.

5. With the cylinder valve facing away from you, open the valve slightly to release a short burst of air, and then immediately close the valve. This will clear any moisture that may have entered the valve opening. Immediately seal the protector cap securely in place over the opening of the DIN valve to prevent the entrance of moisture or debris.

User Care & Maintenance

It is important to provide the proper preventative maintenance in order to ensure the best possible performance and maximum life of your Aqua Lung Regulator. The following maintenance procedures should be performed routinely after each use to ensure that the regulator is cleaned, inspected, and prepared for the next use or for storage.

1. Whenever the regulator is removed from the cylinder valve, it is important that the dust cap is installed over the regulator inlet fitting. This is critical to prevent the entrance of moisture into the first stage. This cap is normally attached to the first stage yoke and may therefore be wet. Wipe or blow the dust cap completely dry before securing it over the inlet fitting. Check to ensure that the O-ring is seated securely inside the dust cap.
2. As soon as possible after diving, the regulator should be rinsed thoroughly with fresh water while it is attached to a cylinder and pressurized with air.
3. Rinsing alone, however, will not sufficiently clean the regulator. To clean the regulator as thoroughly as possible, it is necessary to soak it in warm (not over 120°F) tap water for at least one hour.

- a. The preferred method is to attach the regulator to a charged SCUBA cylinder, open the cylinder valve to pressurize the regulator, and thoroughly soak both the first and second-stages. Pressurizing the regulator will effectively prevent the entrance of moisture and/or contaminants into the regulator while it soaks.
- b. If it is not feasible to soak the regulator while it is attached to a cylinder, it may be soaked unpressurized - provided that the dust cap is securely sealed over the inlet with its O-ring intact, and the second stage purges buttons are not depressed while the regulator is submerged or wet.



NOTE: When soaking or rinsing an adjustable model regulator unpressurized, check to ensure that the second stage adjustment knob (VAK) is turned completely “in” (clockwise) to prevent moisture from entering the valve and LP hose.



CAUTION: DO NOT depress the purge button, loosen the first stage yoke screw, or turn the second stage adjustment knob all the way “out” (adjustable models) if the regulator is submerged unpressurized. Doing so will allow the entrance of moisture, and will require that the regulator be returned to an Authorized Aqua Lung Dealer for service.

4. While the regulator is soaking, move the vane adjustment switch on the second stage (if present) back and forth several times from the “MIN” (or “—”) to the “MAX” (or “+”) settings. You may also turn the valve adjustment knob (adjustable models) slightly back and forth—no more than ¼ turn. This action will help to loosen any salt or mineral deposits that may remain lodged in the second stage.
5. After the regulator has been properly soaked, it is important to rinse it vigorously by flushing the mainspring cavity of the first stage regulator (non-environmentally sealed models only), the second-stage mouthpiece, and the openings in the second-stage front cover with a pressurized stream of water. This will remove the deposits of salt and minerals that were loosened during soaking. If the regulator is not pressurized, do not press the purge button while submerged. Pushing the purge button at this time will allow moisture to enter the valves, and will require that the regulator be returned to an Authorized Aqua Lung Dealer for service..
6. Wipe the regulator as dry as possible and hang by the first stage to ensure that all remaining moisture drains from the second stages.

7. If the regulator is to be stored for a long period, it is good practice to wipe the hoses and rubber gauge boot with a light film of non-aerosol silicone milk, using a soft cloth.
8. Adjustable models with the VAK feature should be stored with the knob turned all the way out (counter-clockwise) away from the regulator body. This will help to extend the life of the low pressure seat.
9. When the regulator is completely dry, store in a clean equipment box, or sealed inside a plastic bag. Do not store it where it may be exposed to extreme heat or an electric motor, which produces ozone. Prolonged exposure to extreme heat, ozone, chlorine, and ultraviolet rays can cause premature degradation of rubber parts and components.
10. Never store the regulator while it is still connected to the cylinder valve.
11. Do not use any type of solvent or petroleum based substances to clean or lubricate any part of the regulator. Do not expose any part of the regulator to aerosol spray, as some aerosol propellants attack or degrade rubber and plastic materials.

Dealer Inspection & Service

1. It cannot be assumed that a regulator is in good working order on the basis that it has received little use since it was last serviced. Remember that prolonged or improper storage can still result in internal corrosion and/or deterioration of O-ring seals.
2. You must obtain factory prescribed service for your regulator at least once a year from an Authorized Aqua Lung Dealer, regardless of the amount of use it has received. Your regulator may require this service more frequently, depending on the amount of use it receives and the environmental conditions in which it is used.
3. If the regulator is used for rental or training purposes, it will require complete overhaul and factory prescribed service every three to six months. Chlorinated swimming pool water is an especially damaging environment for SCUBA equipment, due to the high levels of chlorine and pH balancing chemicals which cause certain components to rapidly deteriorate.
4. DO NOT attempt to perform any disassembly or service of your regulator. Doing so may cause the regulator to malfunction, and will render the Aqua Lung warranty null and void. All service must be performed by an Authorized Aqua Lung Dealer.

OBTAIN SERVICE FOR YOUR REGULATOR AT LEAST ONCE A YEAR, FROM AN AUTHORIZED AQUA LUNG DEALER. YOUR PERSONAL SAFETY AND THE MECHANICAL INTEGRITY OF YOUR REGULATOR MAY DEPEND ON IT.

Warranty Information

All warranty transactions must be accompanied by proof of original purchase from an Authorized Aqua Lung Dealer. Be sure to save your sales receipt, and present it whenever returning your regulator for warranty service.

The Aqua Lung Satisfaction Guarantee™

If any Aqua Lung product that you have purchased from an Authorized Aqua Lung Dealer fails to meet your expectations, Aqua Lung America, Inc. will replace or exchange the product free of charge within thirty (30) days of the original purchase. Exchanges will be made through the same Authorized Dealer for Aqua Lung America, Inc., for merchandise of equal or lesser value, and will be made only for Aqua Lung equipment. Aqua Lung America, Inc. makes this guarantee of satisfaction a part of all product warranties because of the confidence we have in our products.

The Aqua Lung Two-Year Limited Warranty™

Aqua Lung America, Inc. warrants to the original purchaser for a period of two years from the date of purchase that the product will be free from defects in material and workmanship; provided that it receives normal use, proper care, and prescribed dealer service subject to those restrictions stated in the following paragraphs.

This limited warranty is extended only to the original purchaser for purchases made from an Authorized Aqua Lung Dealer, and is not transferable. This warranty is limited to repair or replacement only at the discretion of Aqua Lung America, Inc.



WARNING: It may be dangerous for untrained and uncertified persons to use the equipment covered by this warranty. Use of SCUBA equipment by anyone who is not a trained or certified diver, or is not currently receiving training through a recognized certification agency, may lead to serious injury or death.

ALL WARRANTIES, INCLUDING, BUT NOT LIMITED TO, IMPLIED WARRANTIES OF MERCHANTABILITY AND FITNESS FOR A PARTICULAR PURPOSE ARE LIMITED IN DURATION TO A PERIOD ENDING TWO YEARS FROM THE DATE OF PURCHASE.

Some states in the U.S. and certain foreign countries do not allow limitations on the duration of implied warranties, so this may not apply to you.

This warranty gives you specific legal rights. You may have rights which vary from state to state and country to country.

AQUA LUNG AMERICA, INC. DISCLAIMS AND EXCLUDES ANY LIABILITY FOR INCIDENTAL OR CONSEQUENTIAL DAMAGES.

Some states in the U.S. and certain foreign countries do not allow exclusions or limitations of liability for incidental or consequential damages, so this may not apply to you.

RESTRICTIONS

The following restrictions apply to this warranty:

1. This warranty does not cover normal wear. Factory prescribed service by an Authorized Aqua Lung Dealer is required at least once annually.
2. This warranty does not extend to damages caused by improper use, improper maintenance, neglect, unauthorized repairs, modifications, accidents, fire, or casualty.
3. Cosmetic damage, such as scratches, dents, and nicks are not covered by this warranty.
4. This warranty does not extend to equipment used for rental, commercial, or military purposes.
5. This warranty covers products purchased in the United States. For warranties that may apply elsewhere, please contact your local representative.
6. Failure to meet any of the above requirements will render the warranty null and void.

RETURNING YOUR REGULATOR FOR SERVICE

Whenever your regulator requires annual service or warranty repair, Aqua Lung recommends that you bring it to your nearest Authorized Aqua Lung Dealer.

If you need to return products covered by this warranty, follow these steps:

1. Provide the dealer with photocopies of your original sales receipt and receipt from your last annual service if the product is more than one year old.
2. If you intend to ship directly to Aqua Lung America, Inc. for service, you must first obtain a Return Merchandise Authorization (RMA) number and the shipping address by calling the phone number listed on the rear cover of this manual.
3. Write the RMA number on the address label. This is important.
4. Mail photocopies of your original sales and service receipts, along with the product and a letter detailing the problem as precisely as possible. Include your name, return address, and daytime telephone number in the letter.

You must prepay all freight charges. We do not accept C.O.D. shipments.



NOTE: Aqua Lung America, Inc. reserves the right to substantiate the validity of the claim.

Contacting Aqua Lung via Electronic Mail

You can contact Aqua Lung by visiting our website at: www.aqualung.com



IMPORTANT NOTICE ABOUT MAIL ORDER SALES OF AQUA LUNG/ U.S. DIVERS PRODUCTS:



Beware of any retailer that offers to sell and ship our life supporting products by mail, for orders placed by phone or the Internet. These retailers are NOT Authorized Aqua Lung Dealers. All Authorized Aqua Lung Dealers must execute a Dealer Agreement that does not allow the sale of Aqua Lung products except "in-store." Many Aqua Lung dealers advertise on the Internet, but they are not allowed to deliver our products other than "over-the counter." This is our assurance that you will receive the proper pre-sale, point-of-sale, and post-sale assistance.

If you obtain our product from one of these retailers, your warranty is therefore not valid and we cannot offer you the assurances of quality and satisfaction afforded by the Aqua Lung Warranty Program. If you would like to verify whether or not a retailer is an Authorized Aqua Lung Dealer, please call or write to Aqua Lung America, Inc., using the address or phone number provided on the rear cover of this manual. Or, you can visit our website at: www.usdivers.com

Annual Inspection & Service Record

Serial Number _____

Purchase Date _____

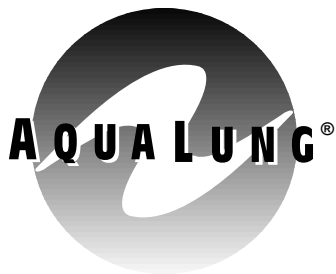
Store Name _____



Date	Dealer Name & Number	Technician Name	Stamp

Annual Inspection & Record

Date	Dealer Name & Number	Technician Name	Stamp



**2340 Cousteau Ct.
Vista, CA 92083
Fax (760) 597-4900
Phone (760) 597-5000
www.aqualung.com**