



by aqua master

Calypso regulator

Aqua Lung is proud to introduce the fifth generation of the popular Calypso regulator. This simple design, with its attractive price, makes it a popular choice for dive lockers as well as new divers. It is compact, lightweight, easy to service and it breathes like a regulator that costs much, much more.

The orange color accents make it a logical choice for Aqua Lung Partner Centers to coordinate with the Wave BC and also provide a high visibility.

Calypso
Weight 1,000 gr

Retail price: 9,890 THB

Calypso DIN 300 B
Weight 700 gr

Retail price: 10,290 THB



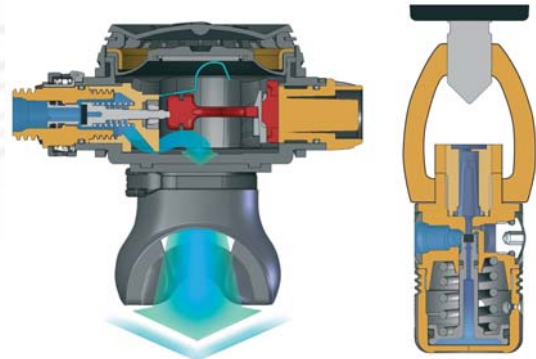
Watch the movie! [click here](#)

First Stage:

- In-line, high-flow piston design means fewer components, excellent reliability and the easiest maintenance in the industry
- Large diameter of piston guarantees a more stable medium pressure output
- The 6 large holes in the end cap help with easier cleaning and rinsing procedures
- Features 1 HP port and 4 MP ports
- Compatible up to 40% O2 when new, out of the box

Second Stage:

- New, mid-size, high performance, demand valve second stage
- Easy-to-grip venturi knob stops unwanted freeflow when the regulator is out of your mouth (pre-dive)
- Can easily be reversed from right-handed to left-handed configuration without additional parts or tools.
- Comes with Aqua Lung's Comfo-bite mouthpiece which reduces jaw fatigue
- A grid built into the exhaust tee creates finer exhaust bubbles for less noise and more stability
- All new, "easy-purge" front cover
- A new, reinforced polycarbonate material makes this second stage stronger than its predecessor



Aqua Lung Sport shorty 3mm Aqua Lung Sport fullsuit 3mm

These new wetsuits, simple designed, are really pleasant and easy to step in with their back zip system; all divers will wear them like a second skin. The highly stretching soft neoprene will suit many different body shapes and provide all the freedom to move. Not only comfortable you will keep them for a very long time, thanks to their strong twin needle flat stitches and their high quality neoprene. The sizes are clearly marked in the inside of the suit to avoid unwanted size prints on the outside.

Shorty available in sizes S, M, L, XL and XXL
Weight 900 gr

Retail price: 2,990 THB

Full Suit available in sizes S, M, L, XL and XXL
Weight 1,000 gr

Retail price: 4,590 THB

For more information, [click here](#)

www.aqualung.com/th



by aqua master



Safaga Full Suit 5.5mm

New in Thailand, the Safaga suit offers you the best value for money. This one-piece 5,5 mm wetsuit features a back zip system and cuff edges in "glideskin" limiting water entry and makes it really easy and comfortable to wear.

This wetsuit also has a clip for attaching a hood, pre and post-dive on right thigh, thus you can already have your 2 hands free.

**Men Full Suit: Available in sizes XS, S, M, ML, L, XL and XXL Retail price: 9,990 THB
Weight 2,000 gr**

**Women Full Suit: Available in sizes XS, S, M, ML, L and XL Retail price: 9,990 THB
Weight 1,700 gr**

(5.5 mm Safaga hood sold separately)

For more information, [click here](#)

Aqua Lung Sport kids shorty 3mm

Having fun in the water is such a pleasure and even funnier to share with the family! Snorkeling, kite surfing, diving, rafting, swimming..., there is a suit for it:

Aqua Lung is proud to present this new kids shorty.

Its smooth skin panels prevent heat loss and its auto stretch neoprene composition enable kids to move freely. This shorty is also made with resistant twin needle flat stitches because kids often don't take care about their wetsuit.

Its attractive and highly visible due to black/orange color, and its nice price will make you and your kids love it!

**Shorty available in sizes XS, S, M, L and XL
Weight 800 gr**

For more information, [click here](#)

Retail price: 2,490 THB



TDEX 2010 is coming

After being postponed, the TDEX is now coming soon on the 8-11 July 2010. Aqua Master will be there to welcome you at the Thailand Diving Exposition 2010. With a large booth of 81 square meters, we will introduce many new products 2010 as the new BCD WAVE, PRO LT, ZUMA or the new TITAN & CALYPSO regulator, the EXPRESS fins and much more...

Special offers and prizes will be available during this event.

We will also organize, this year, a technical seminar and product presentations during the exhibition.



Thursday 8th of July - 11:00am - 7:00pm

Aqua Lung TECHNICAL SEMINAR (Limited to 10 participants) - Fees: 2,000 THB - Meeting Room 1

Must be registered. Please contact us at 076 281 227 or 081 893 5482

Friday 9th of July - 2:00pm - 3:00pm

Aqua Lung Thailand new products 2010 - Free of charges - Meeting Room 1

Saturday 10th of July - 11:30am - 12:30am

Aqua Lung Thailand new products 2010 - Free of charges - Meeting Room 1
We are looking forward to seeing you at the TDEX 2010.

If you have any further queries, please contact us at sales@aquamaster.net

For more information, [click here](#)

